

# BLD 211

The **BLD 211 flow signalling valve** is used in all cases requiring the signalling of discharge phenomena of safety devices (overflow valves, pilot relief valves, pilot-operated safety valves, accelerator discharge for monitor intervention, etc.).

Applicable for natural gas and all non-aggressive gases.



## BLD 211 Competitive advantages



Easy to use



Maximum range memory



Reed intervention for adjustable remote signalling



Stroke % indication

## Technical data

Features	Values
Connections	Rp 1" ISO 7/1
Valve seat diameter	28 mm
Reaction point	≥ 400 L/h
Installation position	Vertical
Max operating pressure	$P_{max} = 100$ bar
Cg flow rate coefficient	453

**Table 1** Technical data

## Materials

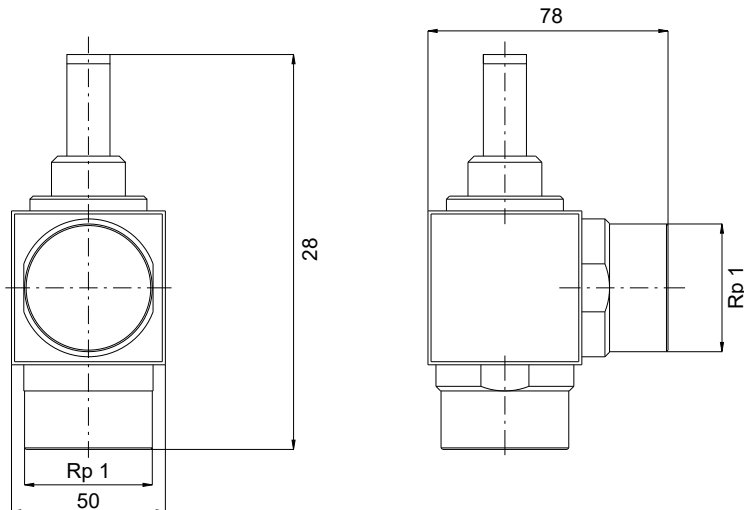
Part	Material
Body	Aluminium
Connections	AISI 316

**Table 2** Materials

## Weights and dimensions

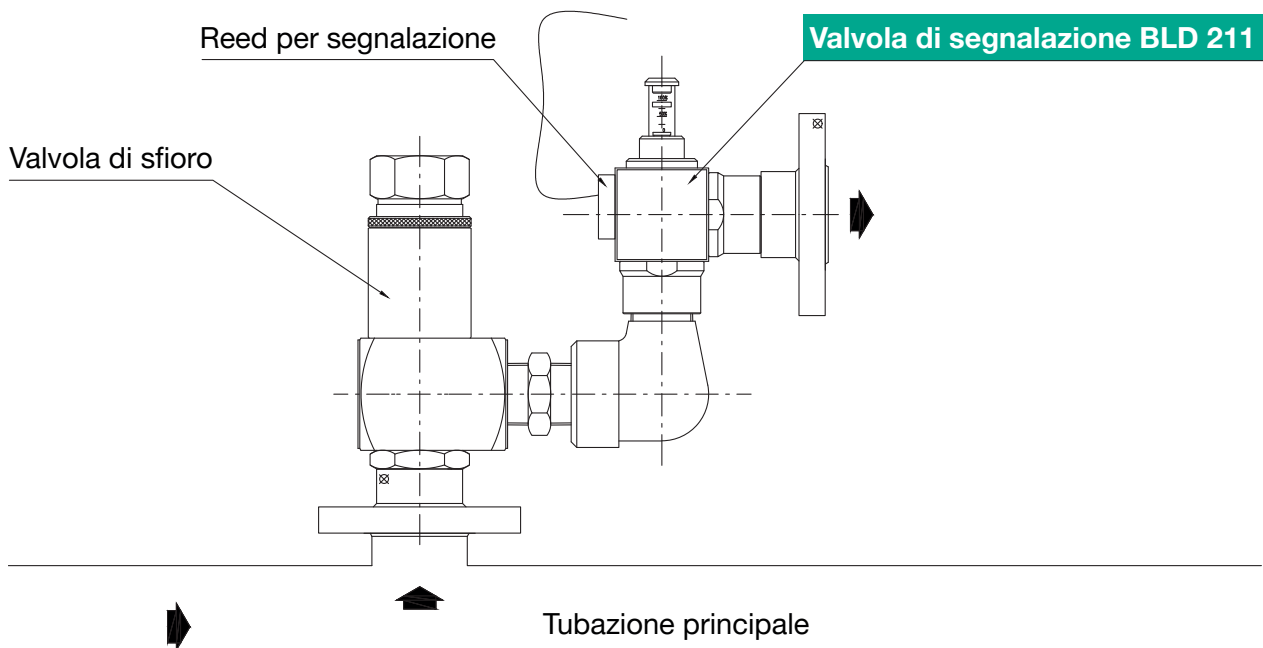
**Weight:** 0.75 kg

**Dimensions:** See figure 1 (measurements in mm)



**Figure 1** BLD 211 dimensions

## Application example



**Figure 2** BLD 211 application example