



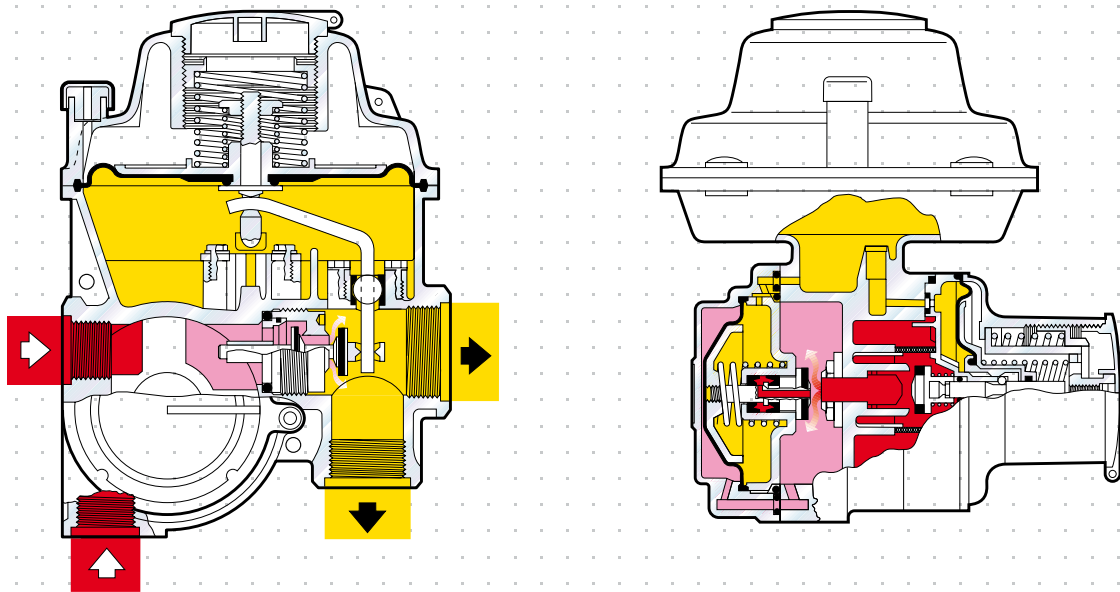
Mod. FB

Double stage low-medium
Pressure self-driven regulators

The FB series of two stage self-driven spring loaded regulators are widely used in both civil and industrial installations using Natural Gas, LPG and other non corrosive gases.

They are designed for direct installation to a gas meter and for use in general pipeline work. They can be mounted in any position provided they are protected from weather. Where the installation is in an enclosed area, the internal relief vent can be piped to outside. Simple installation procedure.

The regulators are manufactured according to UNI 8827.



Options



Inlet test point
Type Peterson



Inlet test point
Type Ø 7,7x0,794



Inviolable plug

- Inlet pressure (Pu)
- Intermediate pressure
- Outlet pressure (Pd)



FB
with inlet test point

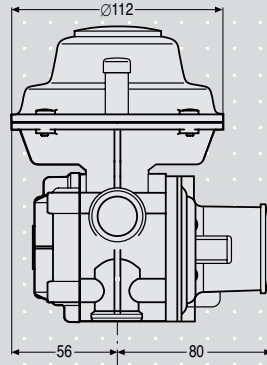
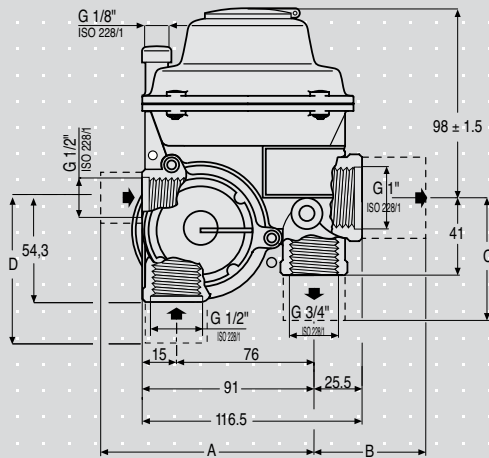


FB
version with 2 outlet
connections



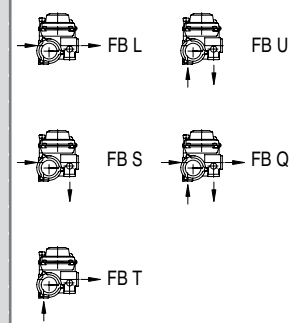
FB
with outlet test point

Dimensions



For dimension A-B-C-D depending on selected connections.

Connection Configuration



Weight

1,4 ÷ 2 Kg

Materials

Body - ZAMAK 3 UNI EN 1774

Cover - ZAMAK 3 UNI EN 1774

External treatments

Polyetilene coating on request

Main features

- > Inlet pressure range: bpu 0.15÷8.6 bar - bpu 2.2÷72.5 Psi
- > Max allowable pressure: PS 8.6 bar - PS 124.7 Psi
- > Outlet pressure range Wd: 3÷180 mbar - 5.2÷72.3" wc
- > Over pressure shut - off setting range:
Wd OPSO: 35÷300 mbar - Wd OPSO: 14÷120.5" wc
Wd UPSO: 8÷80 mbar - Wd UPSO: 3.2÷32.1" wc
- > Accuracy class: AC 5/10%
- > Lock up pressure class: SG 25% Max
- > Temperature class: 2 (-20°C +60°C) - (-68°F +140°F)
- > Response time: lower than 3 sec.

Safety devices and accessories

- > Built-in 100 µm inlet filter with an area of 500 mm² (0.775 inch²).
 - > Over pressure shut-off device (OPSO).
 - > Under pressure shut-off device (UPSO).
 - > Excess flow valve.
 - > Safety shut-off device for lack of feeding (UPSO).
 - > Manual reset of safety shutoff device only.
 - > Relief valve.
- UPON REQUEST**
- > Inlet and outlet pressure test point.
 - > With inlet valve - (without OPSO).
 - > Without OPSO - (without UPSO).

MODEL	NOMINAL CAPACITY	REQUIRED MINIMUM INLET PRESSURE BAR (PSI)
FB6	6 (STM3/HG.N.)	PD + 0.15
FB10	10 (STM3/HG.N.)	PD + 0.2
FB25	25 (STM3/HG.N.)	PD + 0.3
FBS	50 (STM3/HG.N.)	PD + 1,0

For complete technical details and for the complete set of option refer to the online configurator
www.fioxchange.com/cmr

Azote flow rate: multiply the value in the table Stm3/h G.N. x 0.789



Gas meters



Governors



Solenoid valves



**Pietro
Fiorentini**

Pietro Fiorentini S.p.A.
via E.Fermi 8/10
I-36057 Arcugnano (VI) Italy

Tel. +39 0444 968.511
Fax. +39 0444 960.468

The data are not binding. We reserve the right to make eventual changes without prior notice.

CT-s 571-E July11

www.fiorentini.com